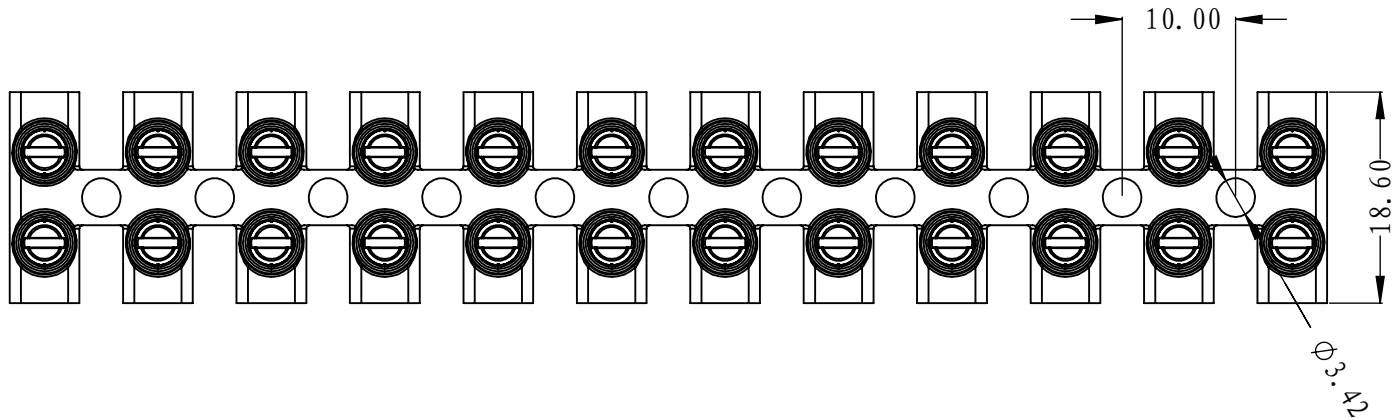
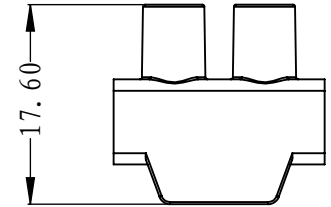
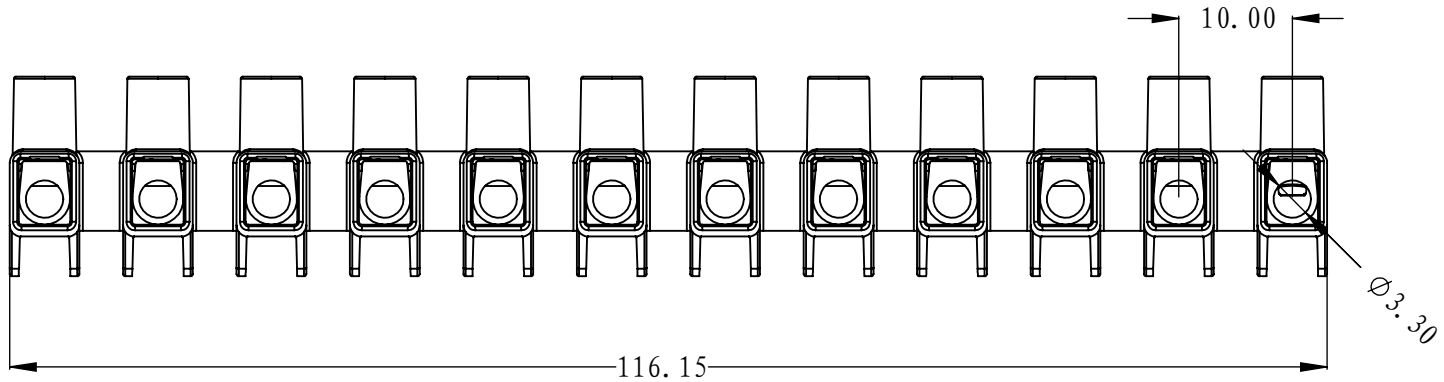


SERIAL NUMBER: Q/KR. C09-05-186

JIANGMEN KREALUX ELECTRICAL APPLIANCES CO., LTD				MODEL NO: T06-H12			
DRAWN		DATE		EDITION	A	SCALE	1.5:1



SERIAL NUMBER: Q/KR.C09-05-186

JIANGMEN KREALUX ELECTRICAL APPLIANCES CO., LTD				MODEL NO: T06-H12W			
DRAWN		DATE		EDITION	A	SCALE	1.5:1